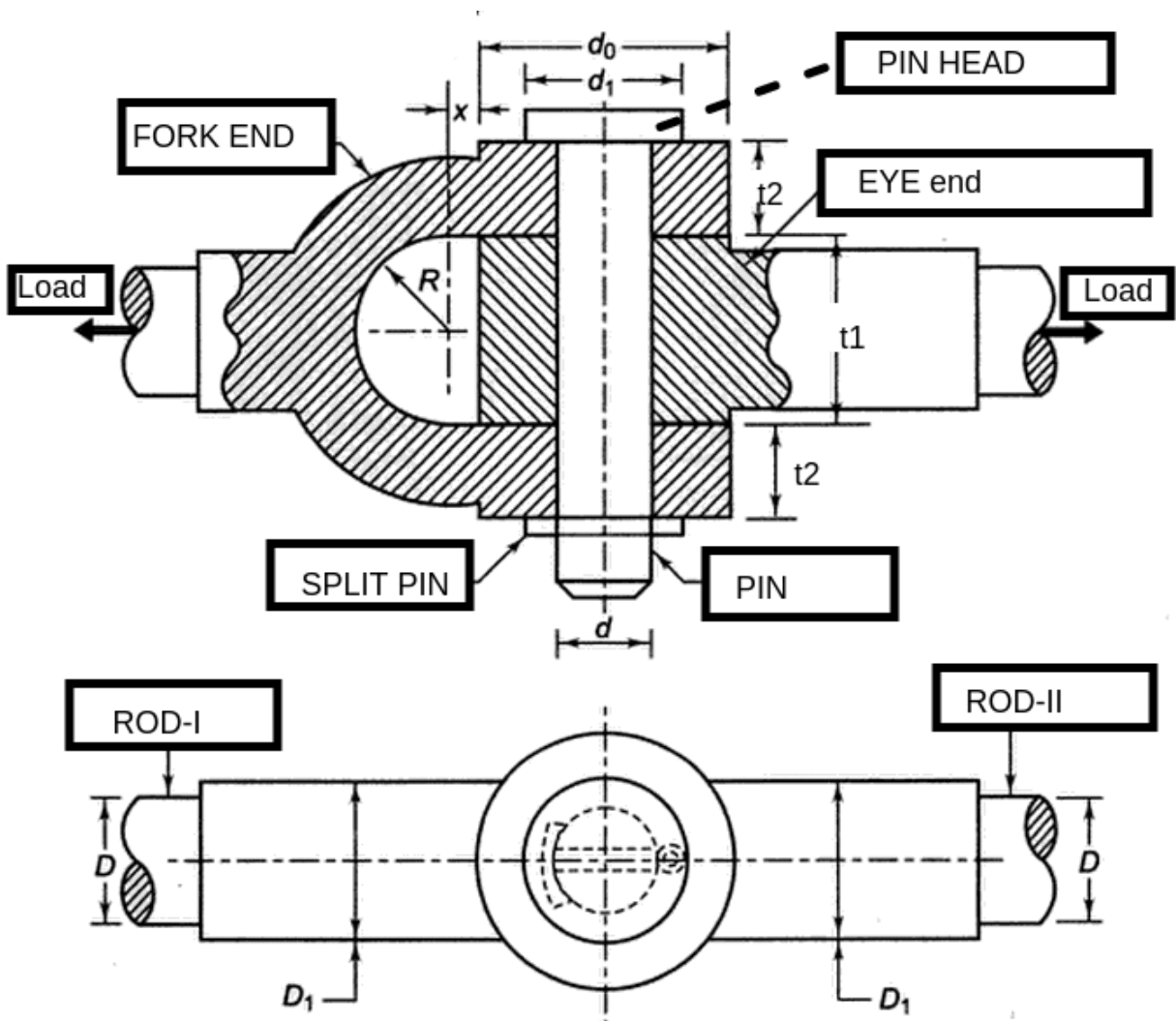
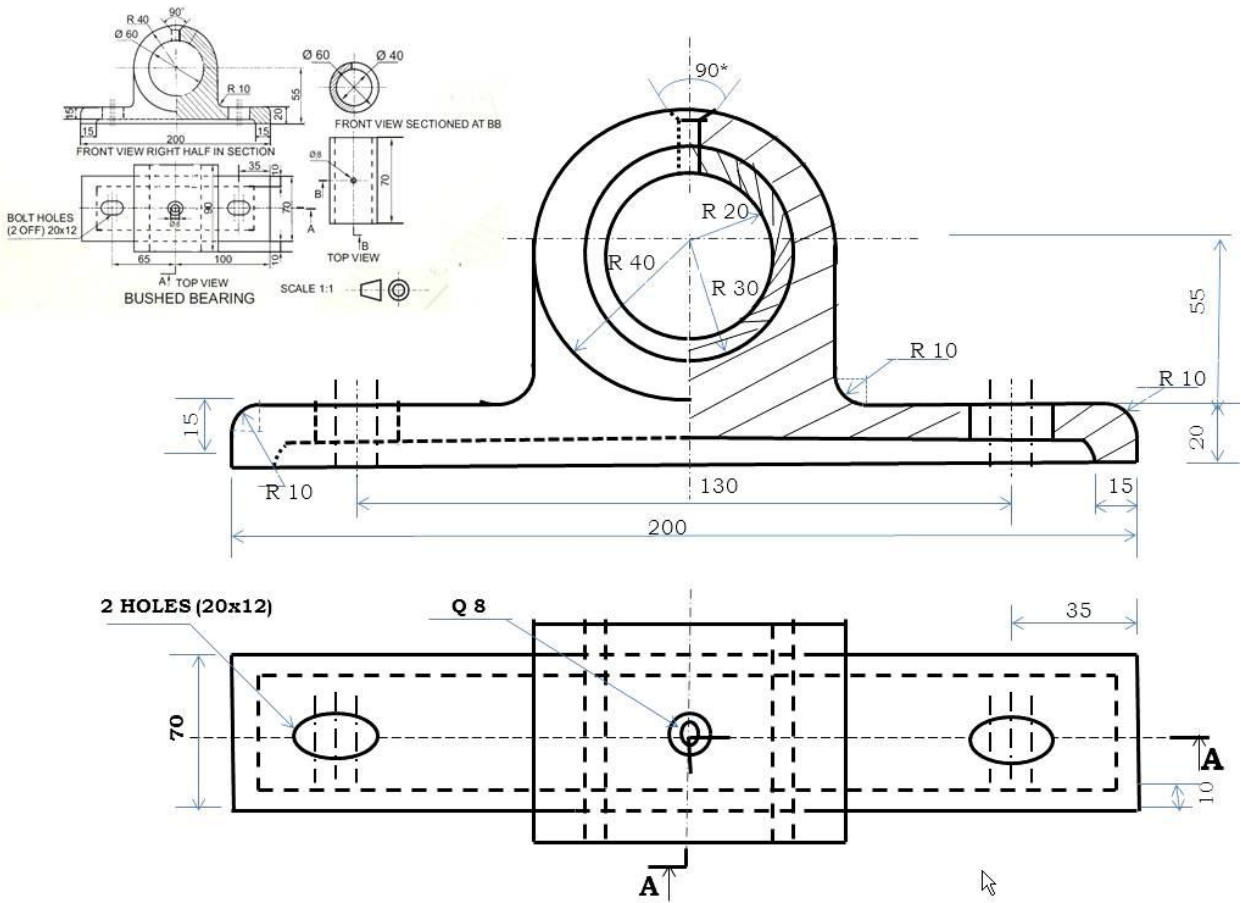


**GOVT POLYTECHNIC MANESAR**  
**AUTOMOBILE ENGINEERING DRAWING CONTENTS**  
**(FOR STUDENTS PRACTICE PURPOSE)**

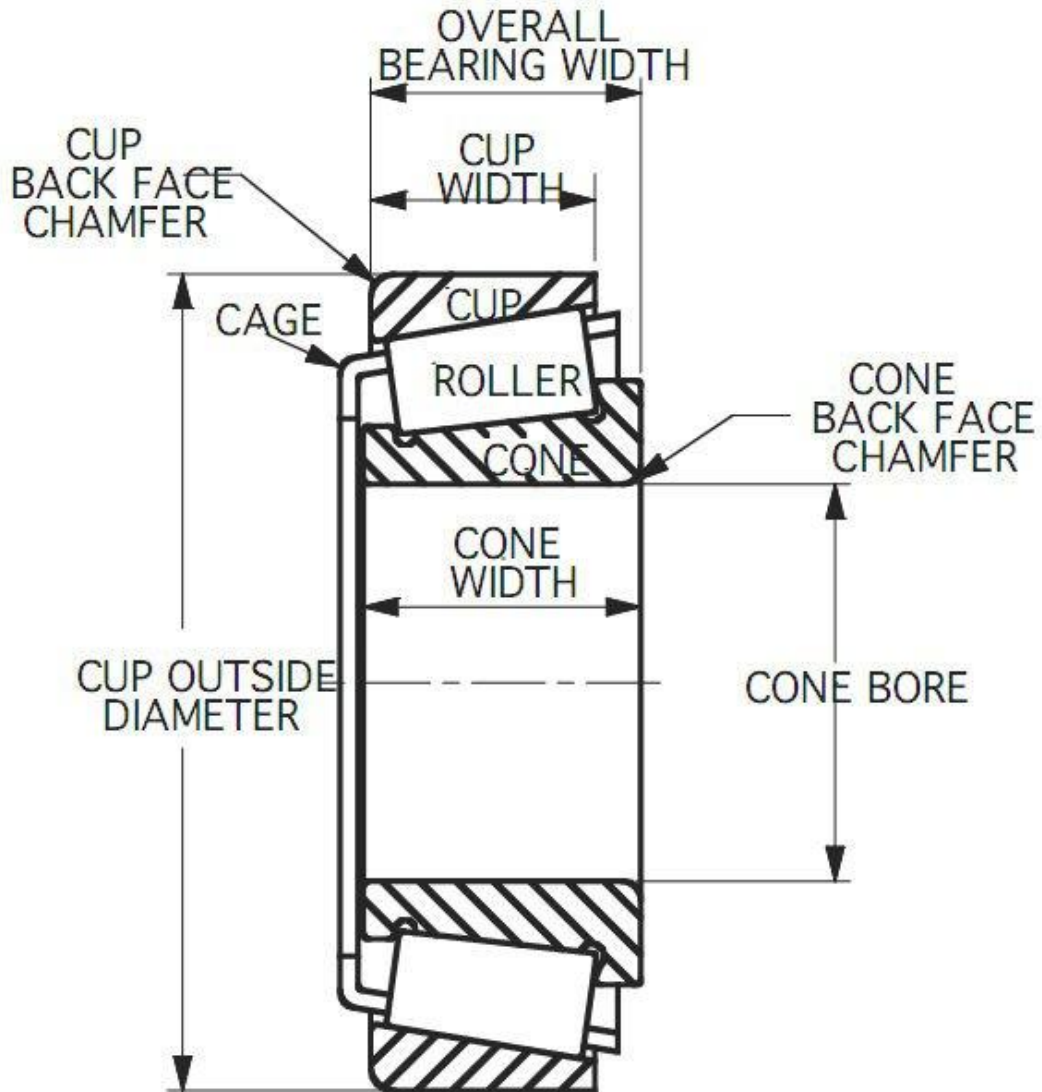
**1 SPLIT JOINT SECTIONAL VIEWS:**

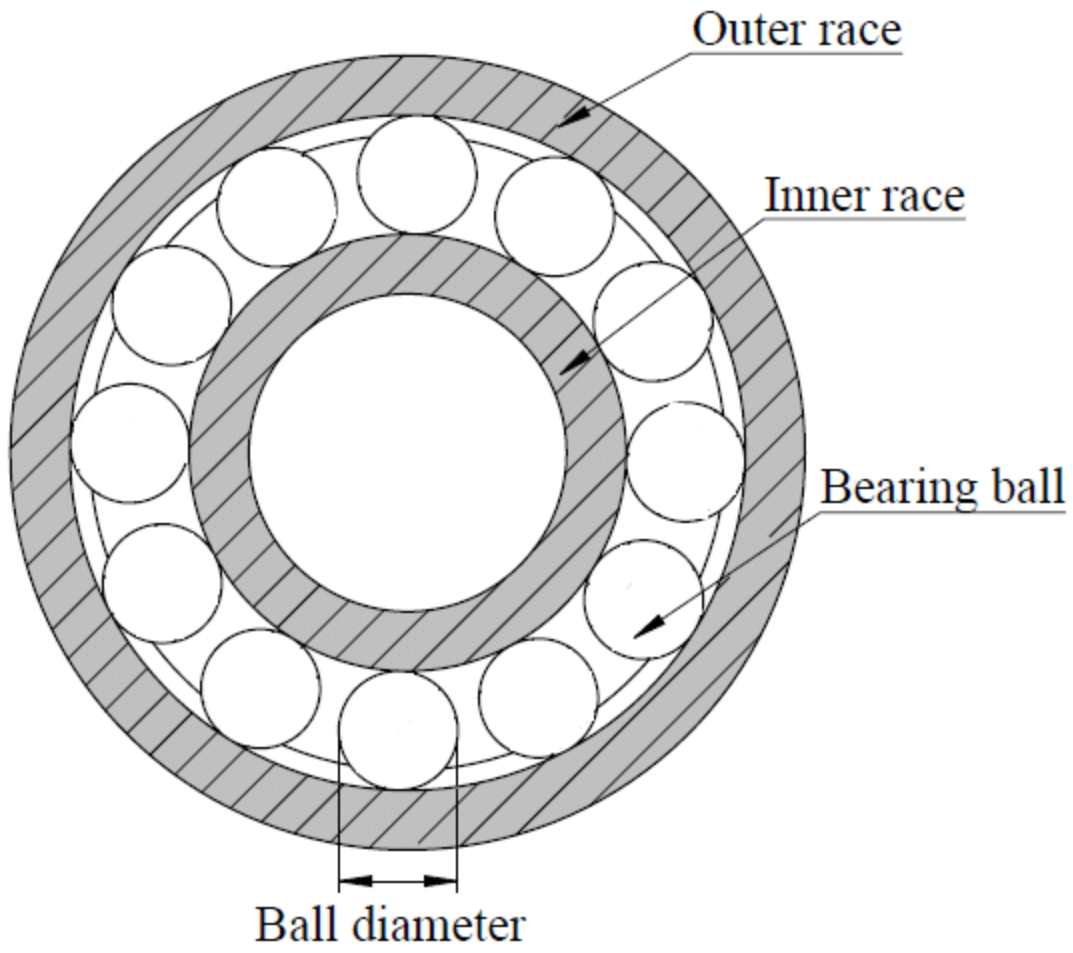


## 2. BUSH BEARING SECTIONAL VIEWS

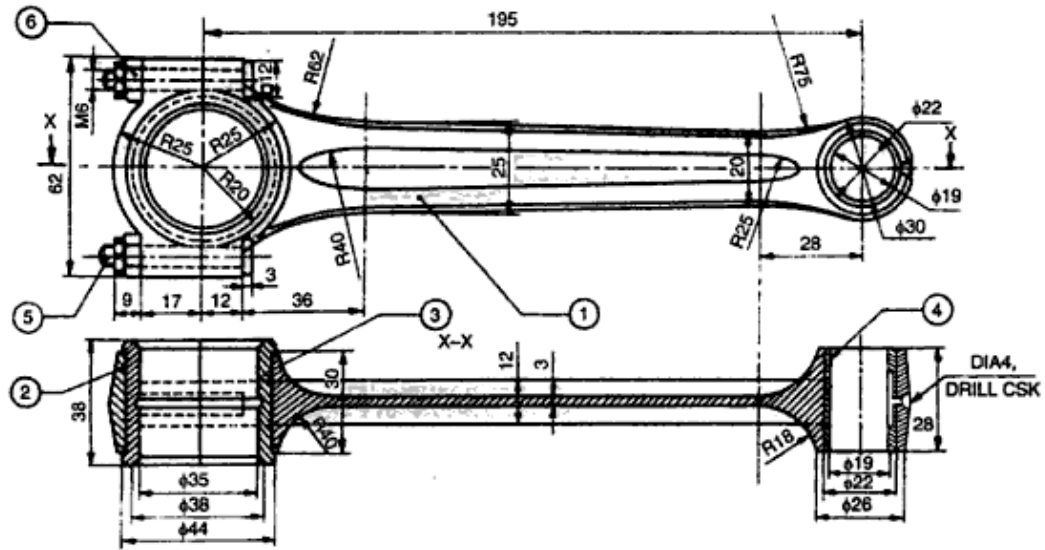


**3. BALL BEARING SECTIONAL VIEW**





**4. CONNECTING ROD VIEWS:**



**Parts list**

Part No.	Name	Matl.	Qty.
1	Rod	FS	1
2	Cap	FS	1
3	Bearing brass	GM	2
4	Bearing bush	P Bronze	1
5	Bolt	MCS	2
6	Nut	MCS	2

**4 STROKE SI ENGINES PISTON VIEWS:**

